

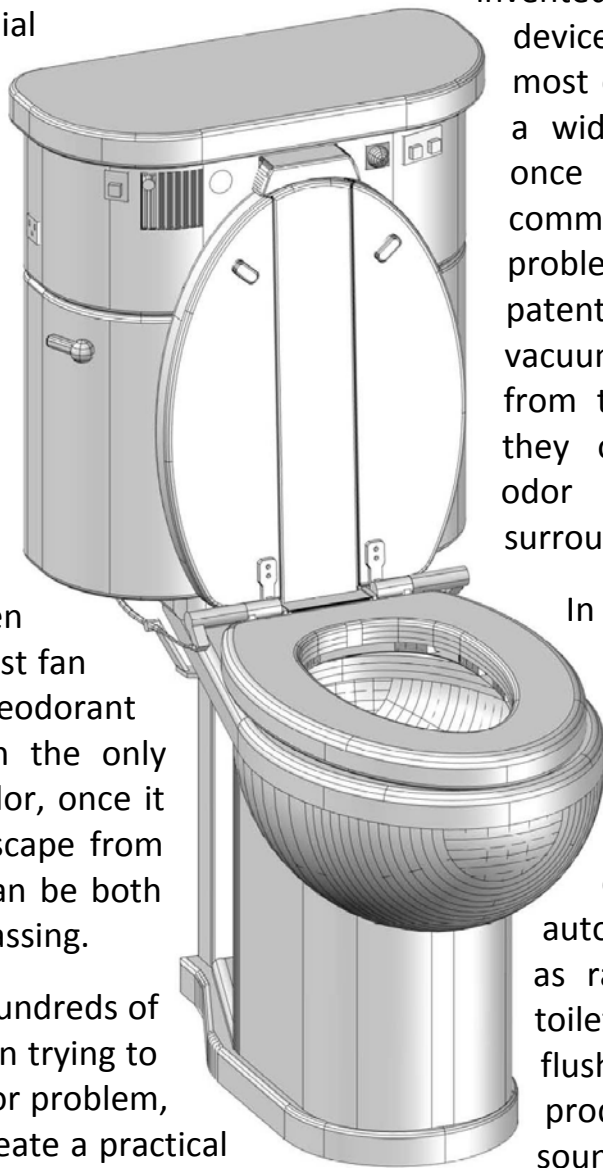
!!! NEWS RELEASE !!!

BREAKTHROUGH INNOVATION

“Finally! At long last! The first real toilet ventilation machine has been invented to solve the bathroom odor problem!” - Mankind

For thousands of years, people have dreaded their daily “call of nature” because of the potential of inherit odors associated with “doing their business.” Even after 100 years since the advent of indoor plumbing and the availability of modern flush toilets for the masses, billions of people still suffer the consequences of poor restroom ventilation methods. An open window, a ceiling exhaust fan or a can of masking deodorant spray have often been the only recourse to diminish odor, once it has been allowed to escape from the toilet bowl. This can be both unpleasant and embarrassing.

Over the last century, hundreds of avid inventors have been trying to solve this bathroom odor problem, all of whom failed to create a practical enough device to resolve the numerous requirements of the problem.



UNTIL NOW! ZYCAD® has invented a modular ventilation device that can be used with most existing stock toilets in a wide variety of ways to once and forever end the common bathroom odor problem. This very unique, patented system quickly vacuums odors directly away from the toilet bowl where they originate BEFORE the odor can drift into the surrounding air.

In addition to serving as an efficient toilet ventilator, ZYCAD’s distinctive system also provides many other optional, convenient and automatic features, such as raising and lowering the toilet seat and seat lid, flushing the toilet, producing background sounds to hide toilet noises and night-light control. Mankind will surely be pleased!

For more information, please visit: www.zycad.com